

Buckeye Rockers



FINE HARDWOOD SEATING
2018-2019 PRODUCT CATALOG

CONTENTS

- 04 AT-A-GLANCE
- 12 QUALITY CRAFTSMANSHIP
- 13 OPTIONS
- 14 DESK CHAIRS
- 34 CLIENT CHAIRS
- 42 CONFERENCE & BUSINESS SEATING
- 50 ROCKERS
- 62 LOUNGE CHAIRS
- 66 GLIDERS & OTTOMANS
- 96 FOOTSTOOLS
- 102 CANES
- 104 POLICIES & INFORMATION





DESK CHAIRS



DC-55
page 16 & 17



SC-60
page 18



DCA-65
page 19



DCL-56
page 20



SCL-61
page 21



OC-50
page 22



MDC-255
page 23



MSC-260
page 24

AT A GLANCE

DESK CHAIRS



MOC-250
page 25



CE-58
page 26-27, 42



CET-59
page 27



ED-57
page 28 & 44



MS-62
page 29



MD-51
page 30



SEAC-340
page 31



RDAC-330
page 31



LDC-58
page 32 & 33

AT A GLANCE

CLIENT CHAIRS



EL-83
page 36 & 48



MC-82
page 37 & 49



CL-80
page 38



CL-90
page 39



CLAL-81
page 40



CLSL-91
page 41



EB-110
page 45



MB-111
page 46



MCT-112
page 47

AT A GLANCE

ROCKERS & LOUNGE CHAIRS



AR-35
page 52 & 53



AR-35 WIDE
page 54



GR-30 WIDE
page 55



GR-30
page 56



LNR-18
page 57



LWR-13
page 57



MR-235
page 58 & 59



LD-36
page 60



KLC-95
page 64



QLC-100
page 65

AT A GLANCE

GLIDERS



SG-45
page 68 & 69



SG-45 WIDE
page 70



SPG-47 WIDE
page 71



SPG-47
page 72 & 73



BG-40
page 74 & 75



MG-240-SL
page 76 & 77



MG-240-SO
page 77



MSG-245-SL
page 78 & 79

AT A GLANCE

GLIDERS



MSG-245-SO
page 79



MSPG-247-SL
page 80 & 81



MSPG-247-SO
page 81



LSG-46
page 82 & 83



PHSG-41
page 84 & 85



PLSG-42
page 86 & 87



SHSG-43
page 88 & 89



SLSG-44
page 90 & 91

AT A GLANCE

OTTOMANS



OT-20
page 92



OP-22
page 92



MO-220-SL
page 93



MO-220-SO
page 93



MOP-222-SL
page 94



MOP-222-SO
page 94



LOT-21
page 95



POT-23
page 95

AT A GLANCE

FOOTSTOOLS & CANES



FT-10
page 98



MF-210
page 98



LT-11
page 99



RS-16
page 99



TR-14
page 100



TM-12
page 100



CANES
pages 102-103

AT A GLANCE



QUALITY CONSTRUCTION

Built with mortise and tenon joint construction. All wood material is kiln dried and complies with the California Code of Regulations meeting the requirements of the Airborne Toxic Control Measure to reduce formaldehyde emissions.



SOLID WOOD BASES

All of our desk chairs come with a steel frame, wood covered base. These bases are very durable and never experience caster tear out.



QUALITY FINISHING

Chairs are stained and finished to protect the wood. Stain is applied using a spray gun for even application then hand rubbed to remove excess. After a light sanding to smooth out any raised grain, each chair receives a finish coat which provides a durable surface that resists stains and scratches.



QUALITY UPHOLSTERING

Seating foam is 2.4lb density and is considered the highest quality foam available in the furniture industry. Fabric or leather is hand cut and then applied on top of the foam. Each chair is hand assembled, resulting in the highest level of quality control.

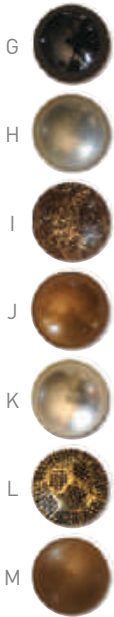
QUALITY CRAFTSMANSHIP



CHOOSE YOUR WOOD SPECIES

A: Red Oak B: Cherry C: Quartersawn White Oak
 D: Brown Maple E: Elm F: Walnut G: Hickory

Stain color will vary in appearance depending on wood species selected.



CHOOSE YOUR NAILHEAD TRIM

G: Black H: Pewter Zinc I: Z Finish (Standard for Mission Styles) J: French Natural K: Pewter Nickel L: Oxford Hammered M: Natural



CHOOSE YOUR UPHOLSTERY

Available in fabric and leather. Fabric/leather can be selected from sample books for Buckeye Fabrics, Heartland Fabrics, Quality Fabrications, Weavers Upholstery and Buckeye Rockers Leather. You are always welcome to provide your own material. Customize your chair with laser engraving or embroidery. FREE leather conditioner with leather chair purchase.



CHOOSE YOUR FINISH

Buckeye Rockers offers a wide selection of stain choices. Finishes can be selected from Ohio Certified Stains (OCS), Premier Finishes (Finish Works), and BI-CO Speciality Finishes. You are welcome to bring us your finish sample and we will do our best to match it.

OPTIONS

DESK CHAIRS



Desk Chairs

CAREFULLY CRAFTED.

FOCUSED, ELEGANT & BEAUTIFULLY AMERICAN



FEATURES

Gas lift and 5-star base

Ideal for desk work, typing, meetings and conference rooms

Gas lift, tilt lock, adjustable tension tilt, knee tilt for better blood circulation in legs are available on the following: Models DC-55, DCA-65, LDC-58, OC-50, SC-60, MSC-260, MDC-255, MOC-250

Gas lift, tilt lock, adjustable tension tilt for exact individual comfort are available on the following: Models CE-58, SEAC-340, DCL-56, SCL-61, RDAC-330, ED-57, MD-51, MS-62, CET-59

Adjustable arms available on Model DCA-65 only.

WOOD SPECIES

Red Oak, Cherry, Quartersawn White Oak, Brown Maple, Elm, Walnut, Hickory

UPHOLSTERY

Fabric, Leather

TRIM STYLE

Black, Pewter Zinc, Z Finish, French Natural, Pewter Nickel, Oxford Hammered, Natural

See our Custom Design Options on Page 13



DC-55

**WHAT IS THE STORY
BEHIND THIS CHAIR?**

The DC-55 Buckeye Desk chair is one of our original designs and continues to be a best seller. While comfortable, user friendly, and affordable, this chair brings a feeling of heirloom quality to any office...to last a lifetime.

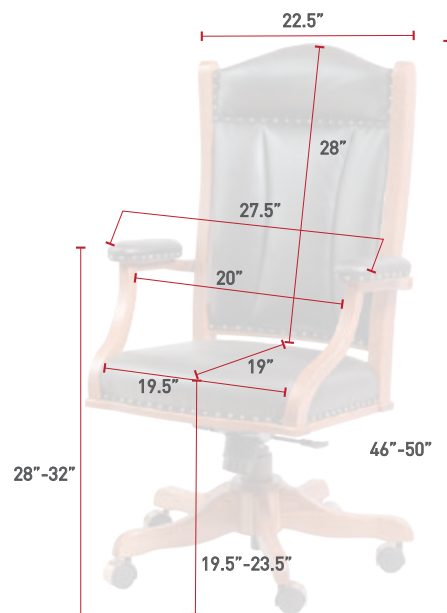
DC-55

Desk Chair with Gas Lift
Oak, OCS-110 Medium
Back View: QSW0, OCS-113 Michael's
Leather: Texas (Saloon)



RS-16

Resto Footrest with Adjustable Tilt
QSW0, OCS-117 Asbury

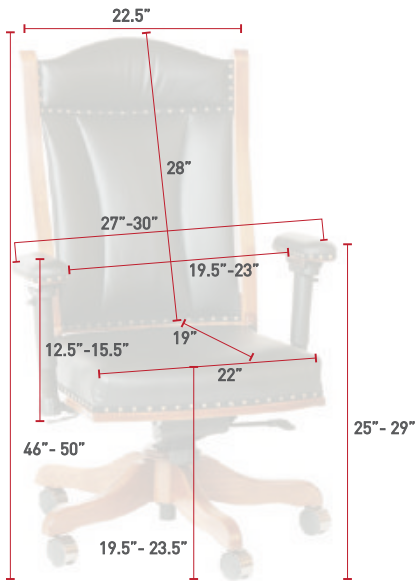




SC-60
 Side Desk Chair with Gas Lift
 Oak, OCS-102 Fruitwood
 Leather: Texas (Saloon)



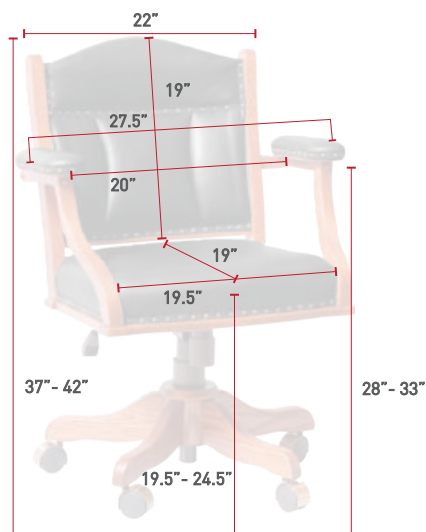
DESK CHAIRS



DCA-65

Desk Chair with Adjustable Arms
 Brown Maple, OCS-113 Michael's
 Leather: Black
 Back View: Brown Maple, OCS-228 Tobacco
 Leather: Navy

DESK CHAIRS



DCL-56
 Low Back Desk Chair with Gas Lift
 Brown Maple, OCS-228 Tobacco
 Leather: Black
 Back View: Oak, OCS-113 Michael's



DESK CHAIRS



SCL-61
 Low Back Side Desk Chair with Gas Lift
 Brown Maple, OCS-117 Asbury
 Leather: Black
 Back View: Oak, OCS-113 Michael's



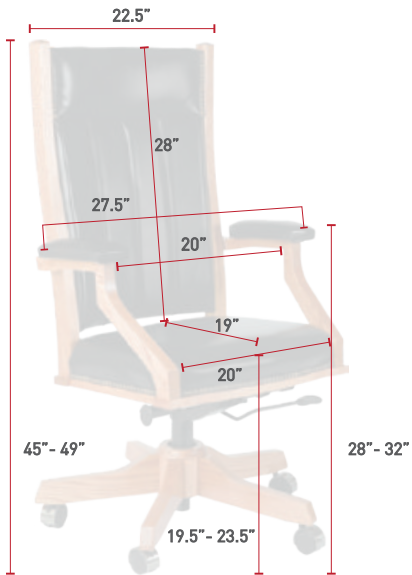
DESK CHAIRS



OC-50
 Office Chair with Gas Lift
 QSWO, OCS-113 Michael's
 Leather: Black
 Back View: Brown Maple, OCS-228 Tobacco



DESK CHAIRS



MDC-255

Mission Desk Chair with Gas Lift

QSWO, OCS-113 Michael's

Leather: Black

Back View: Oak, OCS-110 Medium

Leather: Weston Coffee Bean

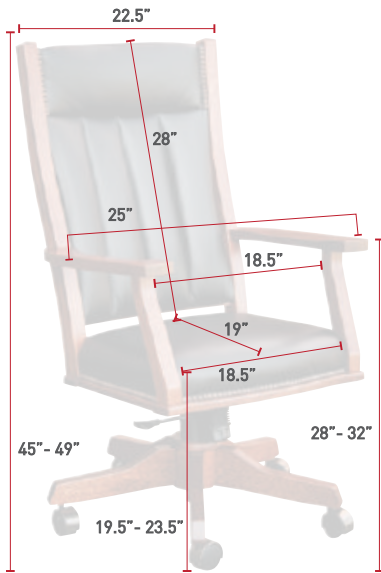
DESK CHAIRS



MSC-260
 Mission Side Desk Chair with Gas Lift
 Oak, OCS-113 Michael's
 Leather: Black
 Back View: Oak, OCS-110 Medium
 Leather: Weston Coffee Bean



DESK CHAIRS



MOC-250

Mission Office Chair With Gas Lift

QSWO, OCS-113 Michael's

Leather: Black

Back View: Walnut, OCS-100 Natural

Leather: Navy

DESK CHAIRS

CE-58





CET-59

WHAT IS THE STORY BEHIND THIS CHAIR?

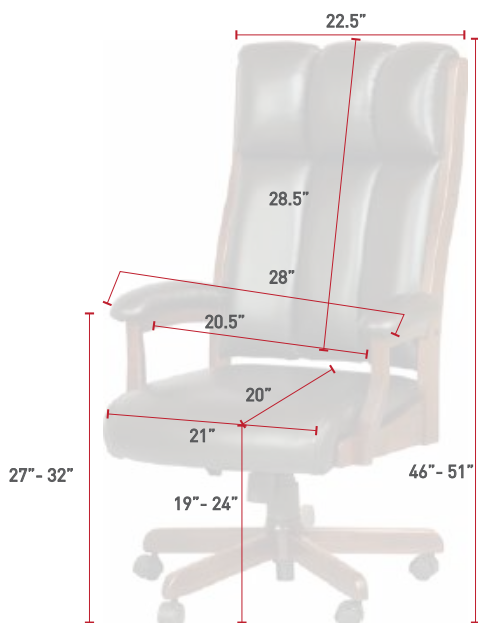
The CE-58 Clark Executive Desk Chair brings an appealing look to any office. It is designed for more heavy users with thicker padding in seat and back. This chair provides all day comfort and ease.

CE-58

Clark Executive Chair with Gas Lift
Oak, OCS-117 Asbury
Leather (opposite page): Texas (Saloon)
Back view: Brown Maple OCS-117 Asbury
Leather: Black

CET-59

Clark Executive Chair (Tufted) with Gas Lift
Brown Maple, OCS-117 Asbury
Leather: Black



CE-58



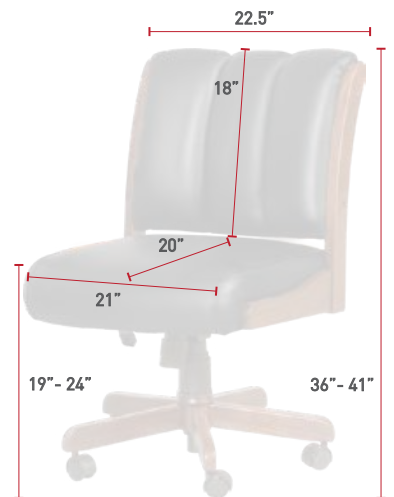
ED-57
 Edelweiss Arm Desk Chair with Gas Lift
 Brown Maple, OCS-228 Tobacco
 Leather: Black
 Back View: Brown Maple, OCS-117 Asbury



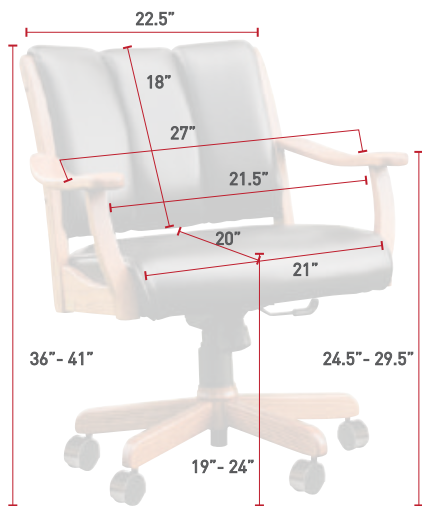
DESK CHAIRS



MS-62
Midland Side Chair with Gas Lift
Rustic Cherry, OCS-117 Asbury
Leather: Black



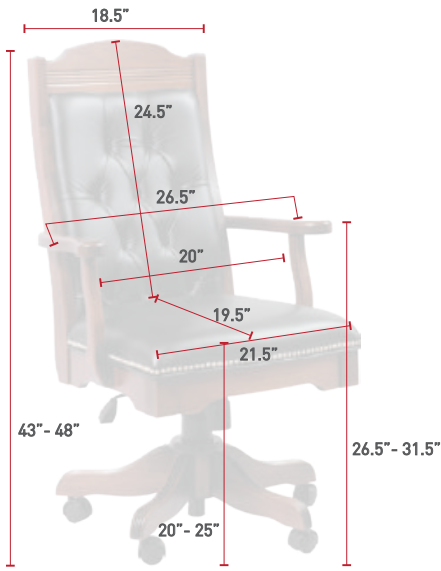
DESK CHAIRS



MD-51
 Midland Arm Chair with Gas Lift
 Rustic Cherry, OCS-117 Asbury
 Leather: Black



DESK CHAIRS



SEAC-340



SEAC-340

Starr Executive Arm Chair with Gas Lift
 Oak, OCS-102 Fruitwood
 Leather: Black
 Back view: Brown maple, OCS-228 Tobacco



RDAC-330

Royal Desk Arm Chair with Gas Lift
 Oak, OCS-113 Michael's
 Leather: Black

DESK CHAIRS



LDC-58

**WHAT IS THE STORY
BEHIND THIS CHAIR?**

The LDC-58 London Desk Chair is known to give good lumbar support. In fact, we use one daily at our Buckeye Rockers office. The more we use it the more we appreciate the comfort it provides.

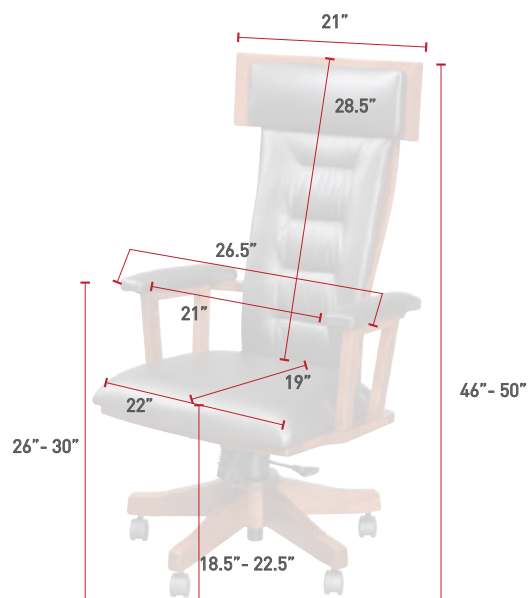
LDC-58

London Arm Desk Chair with Gas Lift
Oak, OCS-113 Michael's
Leather: Renegade Chinchilla



RS-16

Resto Footrest with Adjustable Tilt
QSW0, OCS-117 Asbury



CLIENT CHAIRS



Client Chairs

CAREFULLY CRAFTED.

FOCUSED, ELEGANT & BEAUTIFULLY AMERICAN



CLIENT CHAIRS

FEATURES

Models CL-80, CL-90, CLAL-81, CLSL-91, EL-83, MC-82

Ideal for conference rooms, clients across the desk, board rooms, dining rooms & guests

WOOD SPECIES

Red Oak, Cherry, Quartersawn White Oak, Brown Maple, Elm, Walnut, Hickory

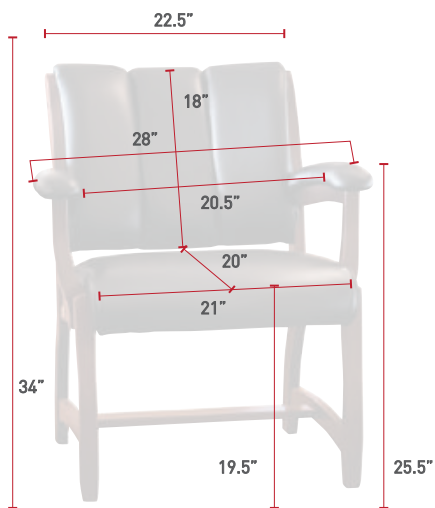
UPHOLSTERY

Fabric, Leather

TRIM STYLE

Black, Pewter Zinc, Z Finish, French Natural, Pewter Nickel, Oxford Hammered, Natural

See our Custom Design Options on Page 13



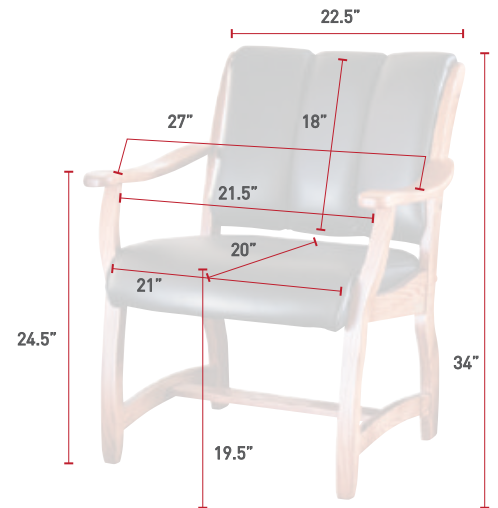
EL-83
Edelweiss Client Arm Chair
Brown Maple, OCS-228 Tobacco
Leather: Black
Back View: Brown Maple, OCS-113 Michael's



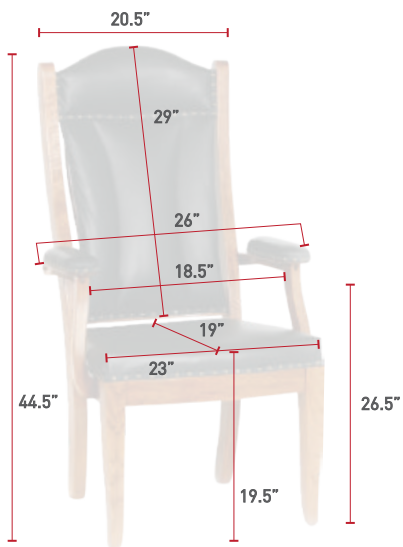
CLIENT CHAIRS



MC-82
Midland Client Arm Chair
Oak, OCS-112 Provincial
Leather: Black



CLIENT CHAIRS



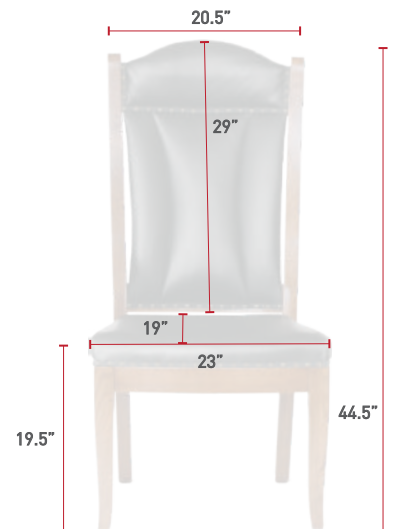
CL-80
 Client Arm Chair
 Cherry, OCS-117 Asbury
 Leather: Mahogany
 Back View Leather: Black



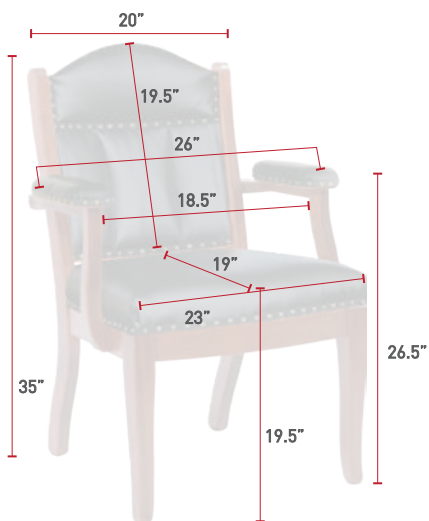
CLIENT CHAIRS



CL-90
Client Side Chair
Cherry, OCS-117 Asbury
Leather: Black



CLIENT CHAIRS



CLAL-81
Low Back Client Arm Chair
Oak, OCS-228 Tobacco
Leather: Black

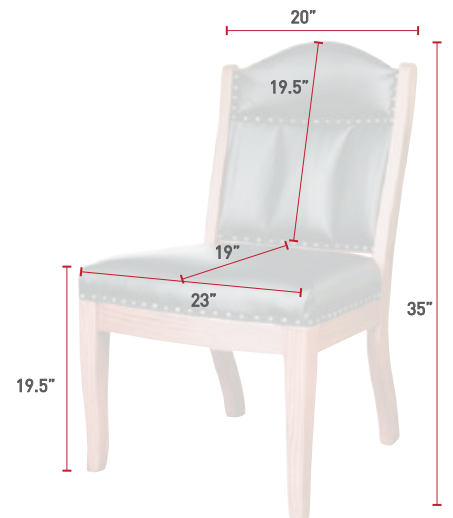


CLIENT CHAIRS

[40] BUCKEYE ROCKERS. CAREFULLY CRAFTED.



CLSL-91
Low Back Client Side Chair
Oak, OCS-107 Washington
Leather: Black
Back View: Oak, OCS-228 Tobacco



CLIENT CHAIRS

CONFERENCE & BUSINESS SEATING



CE-58

Conference & Business Seating

CAREFULLY CRAFTED.

FOCUSED, ELEGANT & BEAUTIFULLY AMERICAN



CE-58

Clark Executive Chair with Gas Lift
Cherry OCS-113 Michael's
Leather: Black

FEATURES

Models CE-58, ED-57, EB-110, MB-111, MCT-112,
EL-83, MC-82

Ideal for conference rooms, board rooms & dining rooms

WOOD SPECIES

Red Oak, Cherry, Quartersawn White Oak, Brown Maple,
Elm, Walnut, Hickory

UPHOLSTERY

Fabric, Leather

See our Custom Design Options on Page 13

CONFERENCE & BUSINESS SEATING



ED-57
Edelweiss Arm Desk Chair with Gas Lift
Brown Maple, OCS-228 Tobacco
Leather: Black
Back View: Brown Maple, OCS-117 Asbury

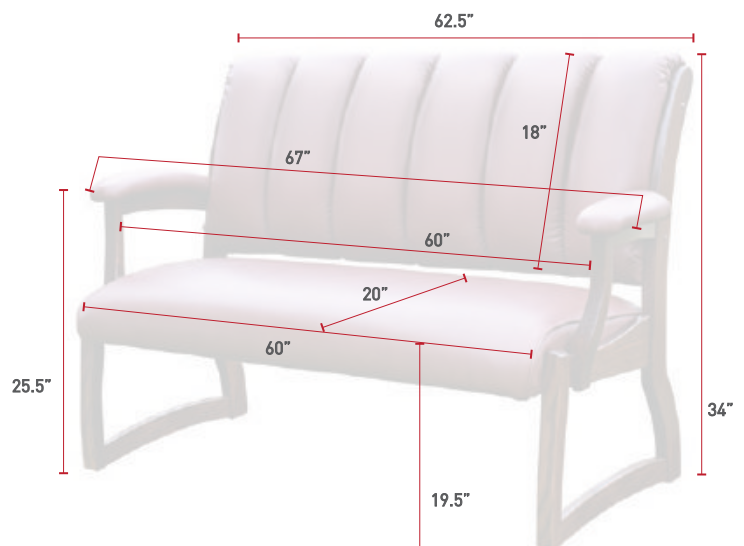


CONFERENCE & BUSINESS SEATING

[44] BUCKEYE ROCKERS. CAREFULLY CRAFTED.



EB-110
Edelweiss Bench
Oak, OCS-228 Tobacco
Leather: Pecan



CONFERENCE & BUSINESS SEATING



MB-111

Midland Bench

SD: 20" SW: 60" BH: 18"

Brown Maple, OCS-117 Asbury

Fabric: 3084-B Glass



CONFERENCE & BUSINESS SEATING

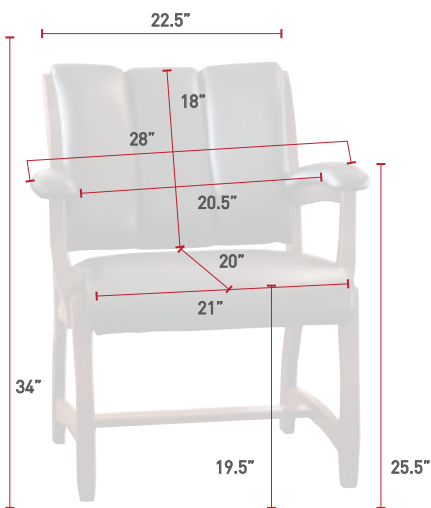


MCT-112

Midland Corner Unit with Table
SD: 20" SW: 20" BH: 18"
Brown Maple, OCS-117 Asbury
Fabric: 3084-B Glass

CONFERENCE & BUSINESS SEATING

BUCKEYE ROCKERS. HEIRLOOM QUALITY. [47]



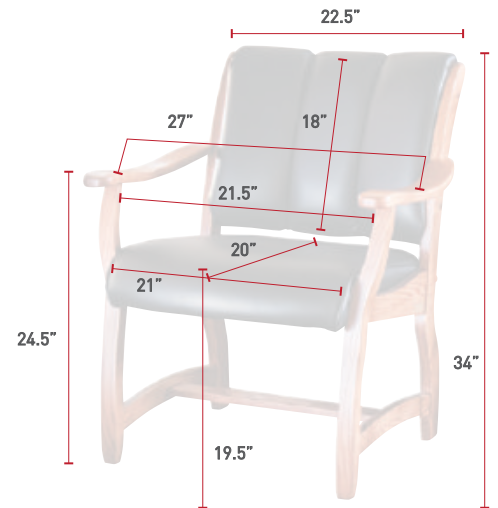
EL-83
Edelweiss Client Arm Chair
Brown Maple, OCS-228 Tobacco
Leather: Black
Back View: Brown Maple, OCS-113 Michael's



CONFERENCE & BUSINESS SEATING



MC-82
Midland Client Arm Chair
Oak, OCS-112 Provincial
Leather: Black



CONFERENCE & BUSINESS SEATING

ROCKERS



Rockers

CAREFULLY CRAFTED.

FOCUSED, ELEGANT & BEAUTIFULLY AMERICAN



FEATURES

Models AR35, AR35-W, GR30-W, GR30, LNR18, LWR13, MR235, LD36

Ideal for living rooms, offices, libraries, lounges and waiting rooms

WOOD SPECIES

Red Oak, Cherry, Quartersawn White Oak, Brown Maple, Elm, Walnut, Hickory

UPHOLSTERY

Fabric, Leather

TRIM STYLE

Black, Pewter Zinc, Z Finish, French Natural, Pewter Nickel, Oxford Hammered, Natural

See our Custom Design Options on Page 13

ROCKERS



AR-35

**WHAT IS THE STORY
BEHIND THIS CHAIR?**

The AR-35 Aunties Rocker is a replicate of a 1930's style rocker while perfecting the seat and back with upholstery for a feather-soft seat. This hardwood frame brings real wood into your home beckoning to be the subject of conversation with friends.

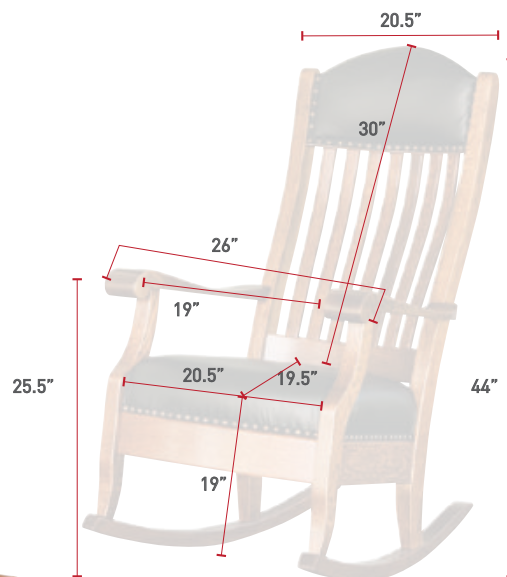
AR-35

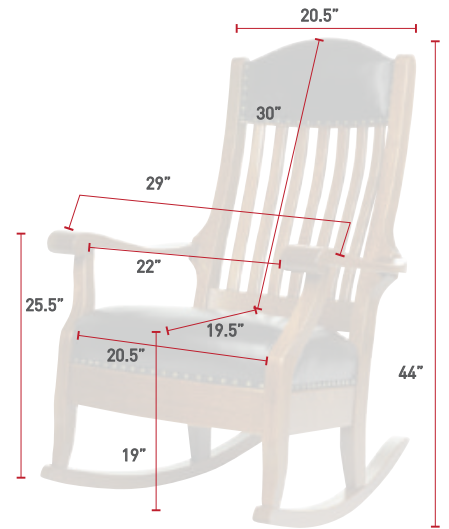
Auntie's Rocker
QSWO, OCS-117 Asbury
Leather: Black
Back View: Oak, OCS-113 Michael's
Fabric: 8938Q



FT-10

Footstool
QSWO, OCS-117 Asbury
Leather: Black

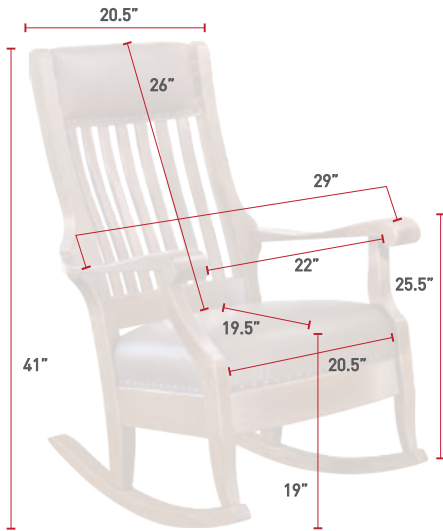




AR-35 WIDE
 Auntie's Rocker Wide
 (3" wider between arms)
 QSW0, OCS-117 Asbury
 Leather: Texas (Saloon)



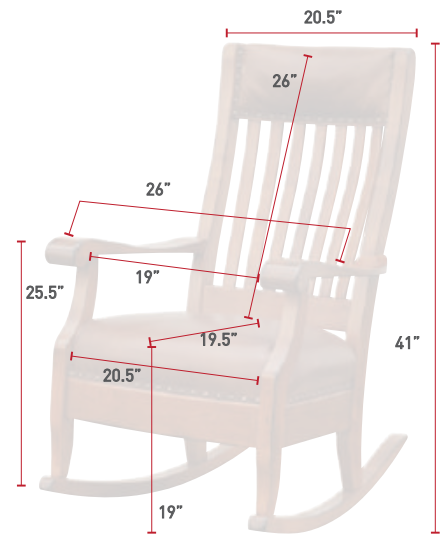
ROCKERS



GR-30 WIDE

Grandma's Rocker Wide
 (3" wider between arms)
 QSWO, OCS-113 Michael's
 Leather: London Tan

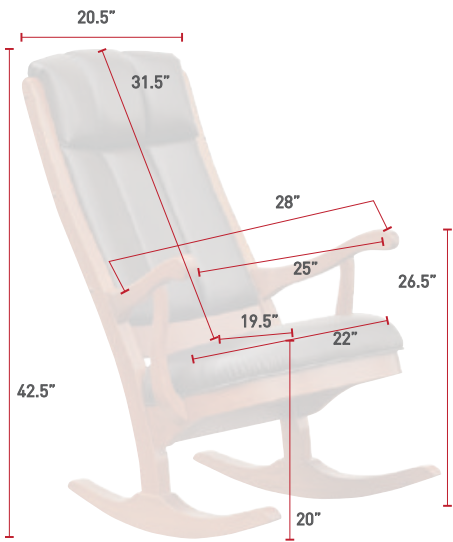
ROCKERS



GR-30
 Grandma's Rocker
 QSWO, S-1204 Golden Oak
 Leather: Black
 Back View: Oak, OCS-102 Fruitwood
 Fabric: 3016-B Sandstone



ROCKERS



LNR-18

Lincoln Rocker
 Oak, OCS-110 Medium
 Leather: Mahogany
 Back View: Brown Maple, OCS-117 Asbury
 Fabric: 1063-B Palamino

LWR-13

Lewis Rocker
 Cherry, OCS-108 S-14
 Leather: Black



ROCKERS



MR-235

**WHAT IS THE STORY
BEHIND THIS CHAIR?**

The MR-235 Mission Rocker raises the bar of mission seating with an upholstered soft seat. A rare find that blends well with any mission setting.

MR-235

Mission Rocker
Cherry, OCS-106 Acres
Leather: Black
Back View: QSWO, OCS-117 Asbury
Leather: Texas (Saloon)



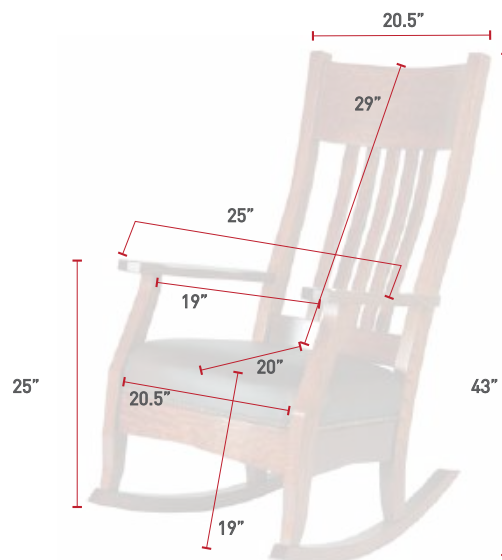
MF-210

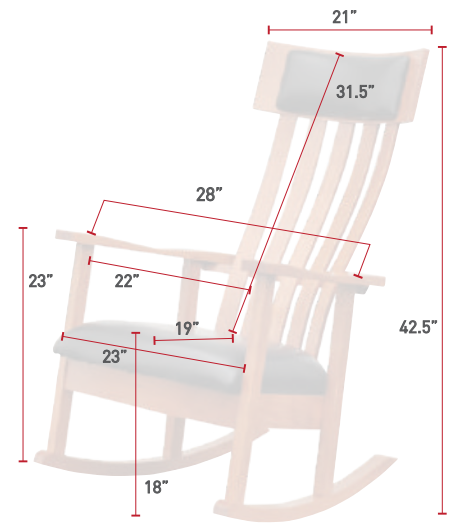
Mission Footstool
QSWO, OCS-106 Acres
Leather: Bomber Brown



LT-11

Little Tod Footstool
Cherry, OCS-100 Natural





LD-36
London Rocker
Elm, OCS-117 Asbury
Leather: Capri Chocolate



ROCKERS



ROCKERS

BUCKEYE ROCKERS. HEIRLOOM QUALITY. [61]

LOUNGE CHAIRS



Lounge Chairs

CAREFULLY CRAFTED.

FOCUSED, ELEGANT & BEAUTIFULLY AMERICAN



FEATURES

Models KLC-95, QLC-100

Ideal for living rooms, offices, libraries, lounges and waiting rooms

WOOD SPECIES

Red Oak, Cherry, Quartersawn White Oak, Brown Maple, Elm, Walnut, Hickory

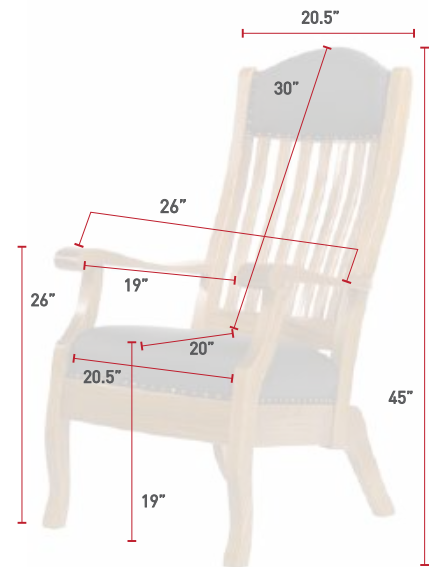
UPHOLSTERY

Fabric, Leather

TRIM STYLE

Black, Pewter Zinc, Z Finish, French Natural, Pewter Nickel, Oxford Hammered, Natural

See our Custom Design Options on Page 13



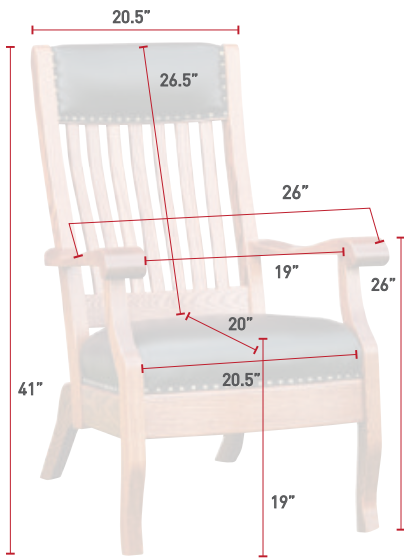
KLC-95
 King Lounge Chair
 QSWO, OCS-113 Michael's
 Leather: London Tan



LOUNGE CHAIRS

LOUNGE CHAIRS

[64] BUCKEYE ROCKERS. CAREFULLY CRAFTED.



QLC-100

Queen Lounge Chair


Oak, OCS-113 Michael's

Leather: Black

Back View: QSWO, OCS-113 Michael's

Leather: London Tan

LOUNGE CHAIRS



GLIDERS & OTTOMANS

Gliders & Ottomans

CAREFULLY CRAFTED.

FOCUSED, ELEGANT & BEAUTIFULLY AMERICAN



FEATURES

Swivel base in models SG-45, MSG-245, MSPG-247, SPG-47, LSG-46, PHSG-41, PLSG-42, SHSG-43, SLSG-44.

Models BG-40, MG-240, SG-45, MSG-245, MSPG-247, SPG-47 available in wide size (3" wider between arms)

Matching ottomans for above gliders are: Models OT20, OP22, MO220-SL, MO220-SO, MOP222-SL, MOP222-SO, LOT21, POT23

WOOD SPECIES

Red Oak, Cherry, Quartersawn White Oak, Brown Maple, Elm, Walnut, Hickory

UPHOLSTERY

Fabric, Leather

TRIM STYLE

Black, Pewter Zinc, Z Finish, French Natural, Pewter Nickel, Oxford Hammered, Natural

See our Custom Design Options on Page 13



SG-45

WHAT IS THE STORY BEHIND THIS CHAIR?

The SG-45 Swivel Glider is a main seller. It glides with a friction-free mechanism and offers a smooth and comfy ride.

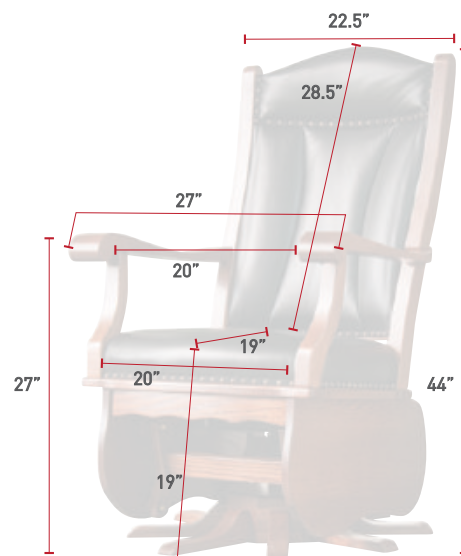
SG-45

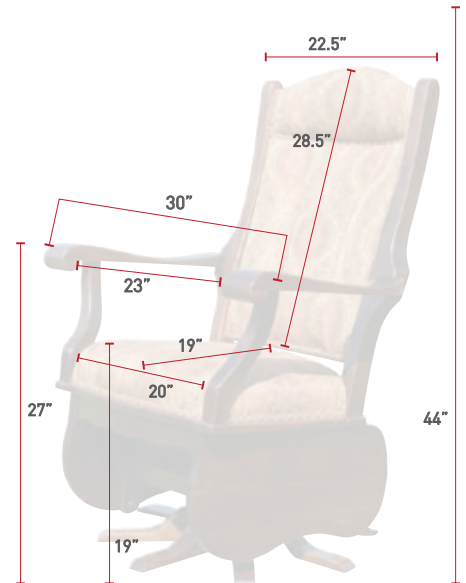
Swivel Glider
Oak, OCS-113 Michael's
Leather: Black
Back View Fabric: 1064-B Buckskin



OT-20

Gliding Ottoman
Oak, OCS-113 Michael's
Leather: Texas (Saloon)

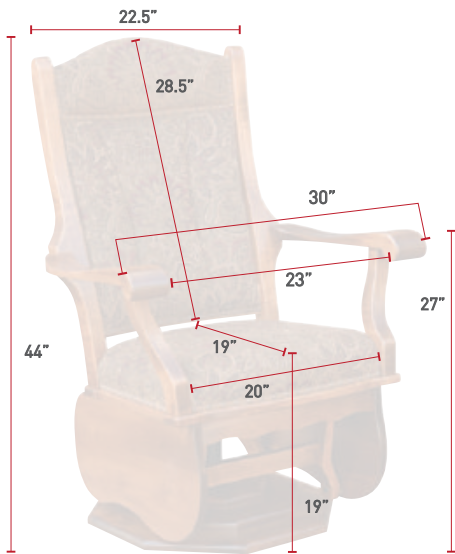




SG-45 WIDE
 Swivel Glider Wide
 (3" wider between arms)
 Brown Maple, OCS-228 Tobacco
 Fabric: 7226Q



GLIDERS & OTTOMANS



SPG-47 WIDE

Swivel Glider Wide
 (3" wider between arms)
 Brown Maple, OCS-113 Michael's
 Fabric: 3050-B Forest
 Back View: Oak, OCS-113 Michael's
 Leather: Black

GLIDERS & OTTOMANS



SPG-47

**WHAT IS THE STORY
BEHIND THIS CHAIR?**

The SPG-47 Swivel Glider displays a nice platform base. It glides with a friction-free mechanism. Offers a smooth and comfy ride for all who sit in it.

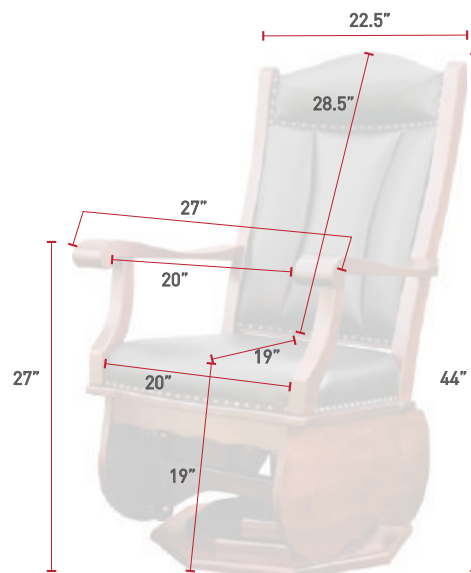
SPG-47

Swivel Glider
 Hickory, OCS-104 Seely
 Leather: Texas (Saloon)
 Back View: Hickory, OCS-100 Natural
 Leather: Weston Pecan



OP-22

Gliding Ottoman
 QSWO, OCS-113 Michael's
 Leather: Black





BG-40

**WHAT IS THE STORY
BEHIND THIS CHAIR?**

The BG40 Buckeye Glider is one of our original designs. The non-swivel mechanism safely secures the user.

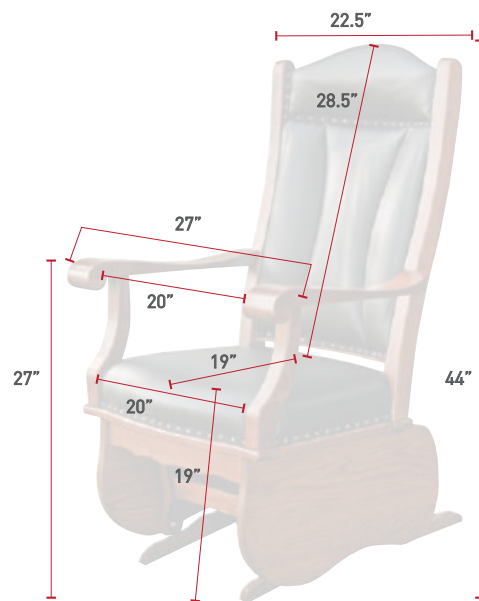
BG-40

Buckeye Glider
Brown Maple, OCS-113 Michael's
Leather: Black
Back View: Cherry, OCS-113 Michael's
Leather: Hunter Green



OT-20

Gliding Ottoman
Oak, OCS-113 Michael's
Leather: Texas (Saloon)





MG-240-SL

MO-220-SL

**WHAT IS THE STORY
BEHIND THIS CHAIR?**

The MG-240 Mission Glider has a non-swivel mechanism. This chair offers affordability and practicality and is available with solid side panels or with slats.

MG-240-SL

Mission Glider Slat Side
QSWO, OCS-117 Asbury
Leather: Mushroom (Saloon)



MO-220-SL

Mission Ottoman Slat Side
QSWO, OCS-117 Asbury
Leather: Mushroom (Saloon)

MG-240-SO

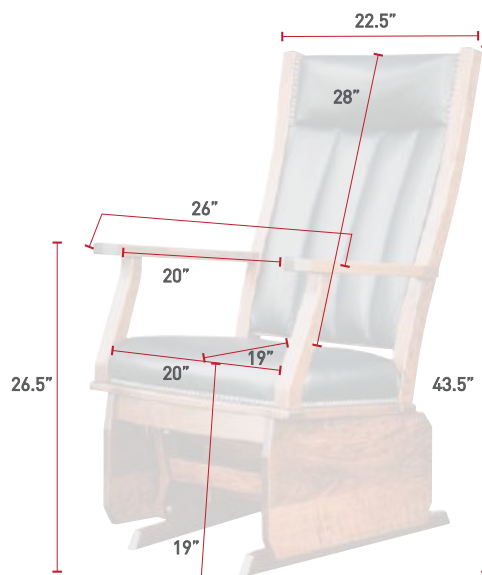
(Shown Below)
Mission Glider Solid Side
Brown Maple, OCS-113 Michael's
Leather: Black



MG-240-SO



MG-240-SL





MSG-245-SL

**WHAT IS THE STORY
BEHIND THIS CHAIR?**

The MSG245 Mission Swivel Glider is our original mission design. It glides with a smooth, friction free mechanism. Proven seating for any mission setting.

MSG-245-SL

Mission Swivel Glider Slat Side
QSWO, OCS-117 Asbury
Fabric: 2017-B Latte



MO-220-SL

Mission Ottoman Slat Side
QSWO, OCS-117 Asbury
Leather: Mushroom (Saloon)

MSG-245-SO

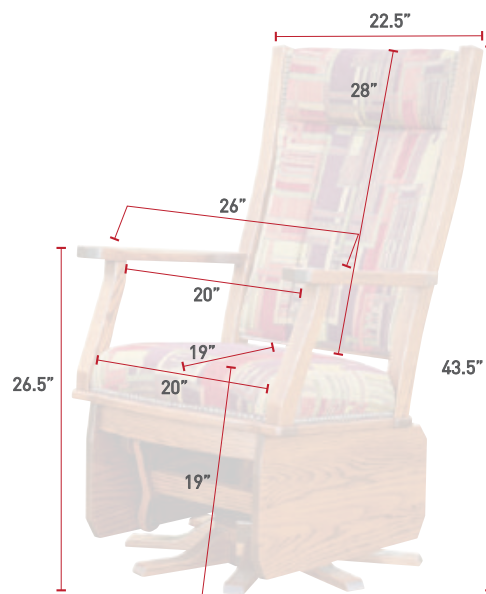
(Shown Below)
Mission Swivel Glider Solid Side
Oak, OCS-113 Michael's
Fabric: 8888Q



MSG-245-SO



MSG-245-SL





MSPG-247-SL

**WHAT IS THE STORY
BEHIND THIS CHAIR?**

The MSPG-247 Mission Swivel Glider is a main seller. It glides with a friction-free mechanism and is appealing for mission lovers.

MSPG-247-SL

Mission Swivel Glider Slat Side
QSWO, OCS-117 Asbury
Leather: Texas (Saloon)



MOP-222-SL

Mission Ottoman Slat Side
QSWO, OCS-117 Asbury
Leather: Texas (Saloon)

MSPG-247-SO

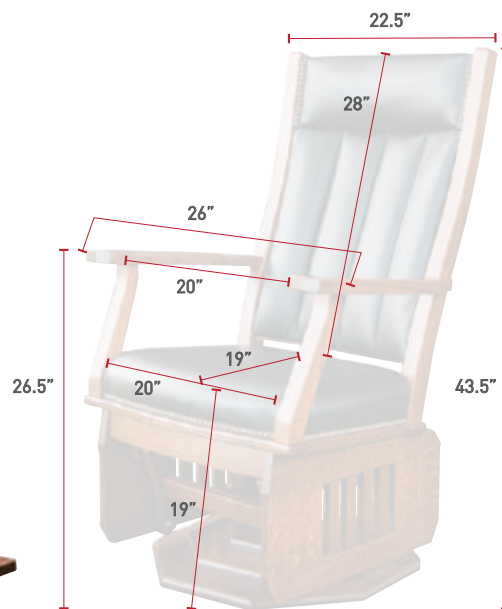
(Shown Below)
Mission Swivel Glider Solid Side
Oak, OCS-112 Provincial
Fabric: 1067-B Sorrel



MSPG-247-SO



MSPG-247-SL





LSG-46

LOT-21

WHAT IS THE STORY BEHIND THIS CHAIR?

The LSG46 London Swivel Glider is our # 1 selling glider. Rides a friction free mechanism. Platform base and attractive appearance.

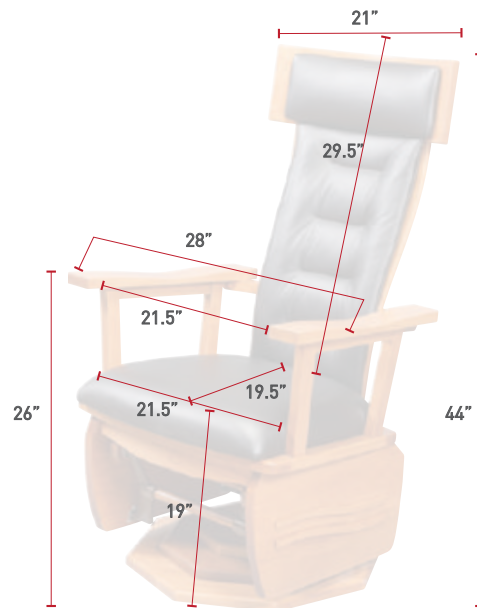
LSG-46

London Swivel Glider
Brown Maple, OCS-230 Onyx
Leather: Grey (Saloon)



LOT-21

London Ottoman
Brown Maple, OCS-230 Onyx
Leather: Grey (Saloon)





PHSG-41

**WHAT IS THE STORY
BEHIND THIS CHAIR?**

The Paris High Back Swivel Glider is more than just a glider. Feel the difference as you sit and enjoy the soft seated comfort. Padded Arms with extra cushioning. Free Motion mechanism provides a smooth and easy ride.

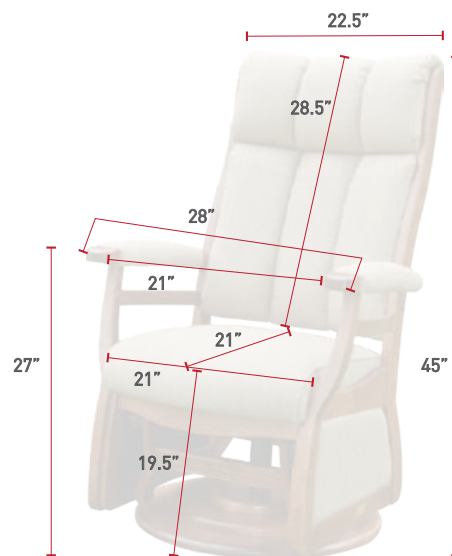
PHSG-41

Paris High Swivel Glider
Oak, FC 10944 Tavern
Fabric: 4-129 Clove
Back View: Brown Maple, FC-226 Coffee
Leather: Texas (Saloon)



POT-23

Paris Gliding Ottoman
Oak, OCS-113 Michael's
Fabric: 1064-B Buckskin





PLSG-42

**WHAT IS THE STORY
BEHIND THIS CHAIR?**

The Paris Low Back Swivel Glider is a rare find. Low back feature is perfectly fitted for users that have a short lumbar. Desirable, Comfortable, Cozy. Free Motion mechanism provides a smooth and easy ride..

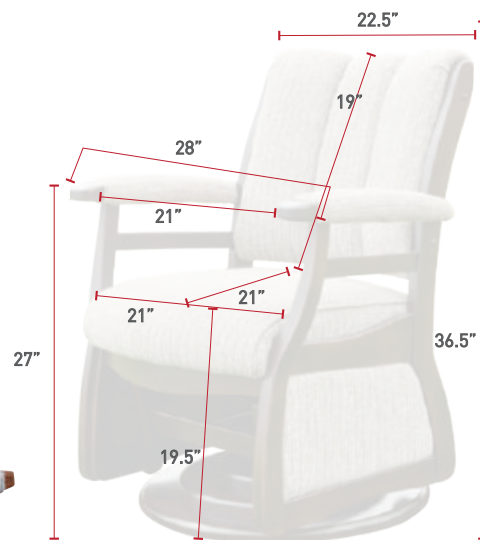
PLSG-42

Paris Low Swivel Glider
Brown Maple, OCS-230 Onyx
Fabric: 25-14 Missy
Back View: Oak, FC 10944 Tavern
Fabric: C2-21 Canal (Crypton)



POT-23

Paris Gliding Ottoman
Oak, OCS-113 Michael's
Fabric: 1064-B Buckskin





SHSG-43

**WHAT IS THE STORY
BEHIND THIS CHAIR?**

The Sierra High Back Swivel Glider is more than just a glider. Feel the difference as you sit and enjoy the soft seated comfort. Wood arms for fast and easy cleaning. Free Motion mechanism provides a smooth and easy ride.

SHSG-43

Sierra High Back Swivel Glider
QSW0, OCS-117 Asbury
Leather: Grey (Saloon)
Back View: Brown Maple, FC-N3173 New Carrington
Leather: Black



POT-23

Paris Gliding Ottoman
Oak, OCS-113 Michael's
Fabric: 1064-B Buckskin





SLSG-44

**WHAT IS THE STORY
BEHIND THIS CHAIR?**

The Sierra Low Back Swivel Glider is a rare find. Low back feature is perfectly fitted for users that have a short lumbar. Wood arms for easy cleaning. Feel the difference as you sit and enjoy the comfort of the soft seat. Free Motion mechanism provides a smooth and easy ride.

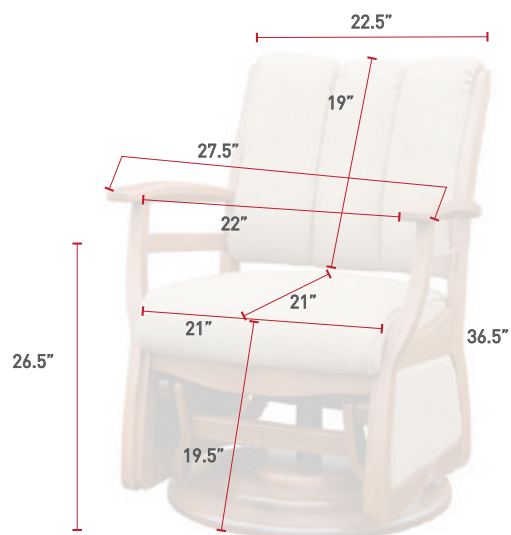
SLSG-44

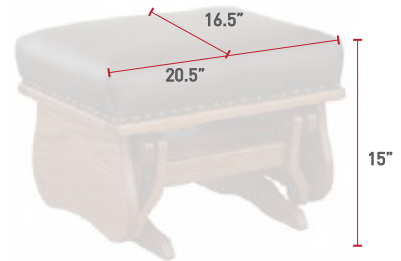
Sierra Low Back Swivel Glider
Cherry, FC-6321 Windsor
Fabric: C8-6 Twig



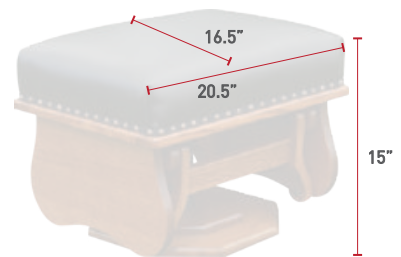
POT-23

Paris Gliding Ottoman
Oak, OCS-113 Michael's
Fabric: 1064-B Buckskin



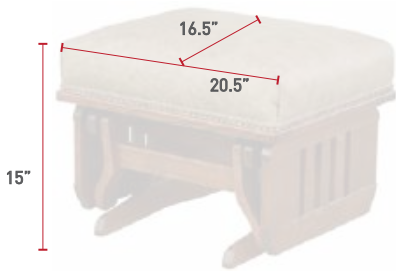


OT-20
Gliding Ottoman
Oak, OCS-113 Michael's
Leather: Texas (Saloon)

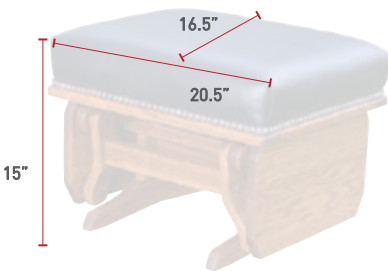


OP-22
Gliding Ottoman
QSWO, OCS-113 Michael's
Leather: Black

GLIDERS & OTTOMANS



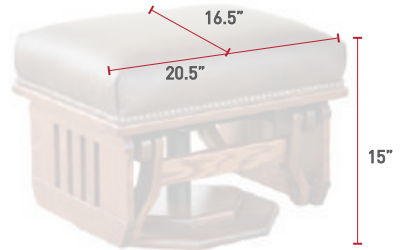
MO-220-SL
 Mission Ottoman Slat Side
 QSWO, OCS-117 Asbury
 Leather: Mushroom (saloon)



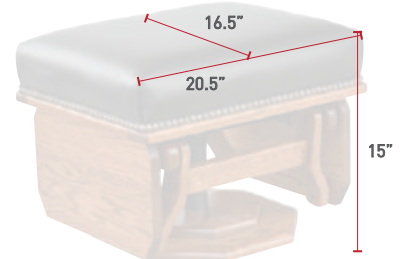
MO-220-SO
 Mission Ottoman Solid Side
 Oak, OCS-113 Michael's
 Leather: Black



GLIDERS & OTTOMANS

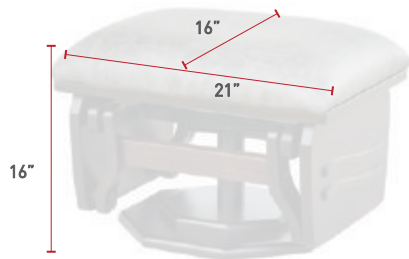


MOP-222-SL
Mission Ottoman Slat Side
QSWO, OCS-117 Asbury
Leather: Texas (Saloon)

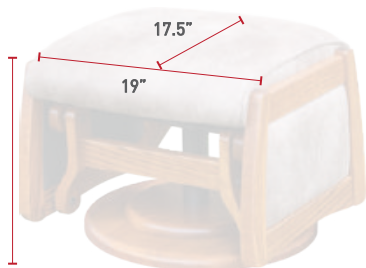


MOP-222-SO
Mission Ottoman Solid Side
Oak, OCS-113 Michael's
Leather: Black

GLIDERS & OTTOMANS



LOT-21
 London Ottoman
 Brown Maple, OCS-230 Onyx
 Leather: Grey (Saloon)



POT-23
 Paris Gliding Ottoman
 Oak, OCS-113 Michael's
 Fabric: 1064-B Buckskin



GLIDERS & OTTOMANS

FOOTSTOOLS



Footstools

CAREFULLY CRAFTED.

FOCUSED, ELEGANT & BEAUTIFULLY AMERICAN



FOOTSTOOLS

FEATURES

Models FT-10, LT-11, MF-210, RS-16, TM-12, TR-14

Model RS-16 has adjustable angle tilt and comes with tile top for greater resistance to wear

WOOD SPECIES

Red Oak, Cherry, Quartersawn White Oak, Brown Maple, Elm, Walnut, Hickory

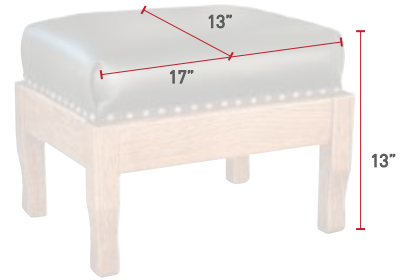
UPHOLSTERY

Fabric, Leather

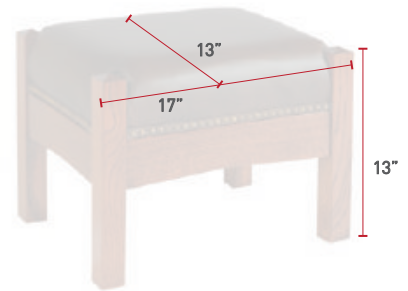
TRIM STYLE

Black, Pewter Zinc, Z Finish, French Natural, Pewter Nickel, Oxford Hammered, Natural

See our Custom Design Options on Page 13

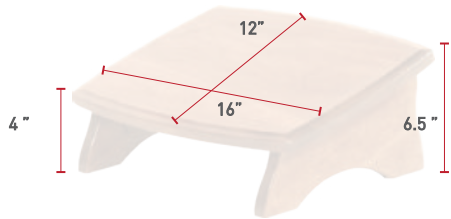


FT-10
Footstool
QSW0, OCS-117 Asbury
Leather: Black



MF-210
Mission Footstool
Oak, OCS-110 Medium
Leather: Black

FOOTSTOOLS

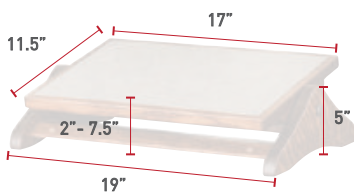


LT-11

Little Tod Footstool
Cherry, OCS-100 Natural

This footstool is very popular and is our best seller. Providing much needed rest for feet that have to reach to touch the floor.

Apply to any seating setting, Gliders, Rockers, Desk Chairs, Dining Chairs.

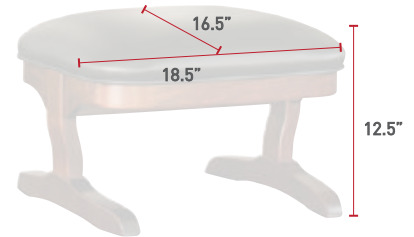


RS-16

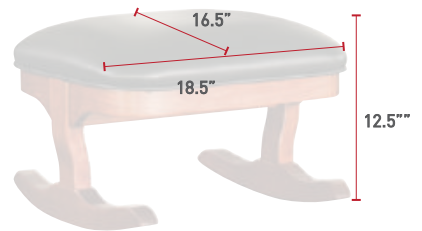
Resto Footrest with Adjustable Tilt
QSWO, OCS-117 Asbury

This footrest is specifically designed with the desk chair user in mind, providing a lift for feet to get better circulation in legs. After all... work and comfort should go hand in hand.

FOOTSTOOLS



TR-14
Terry Footstool (Non-Rocking)
Brown Maple, OCS-228 Tobacco
Leather: Black



TM-12
Tommy Footstool (Rocking)
Cherry, OCS-113 Michael's
Leather: Black

FOOTSTOOLS



FOOTSTOOLS



A

B

C

D

E

F

Canes

CAREFULLY CRAFTED.

FOCUSED, ELEGANT & BEAUTIFULLY AMERICAN



WOOD SPECIES

HC-600 Available in Oak, Cherry and Maple

SC-500 Available in Maple, Cherry, Oak, Cedar, Walnut/
Maple, Striped Mixed Wood

- A SC-500 MAPLE Spiral Walking Cane 36"
- B. SC-500 STRIPED Spiral Walking Cane 36"
- C. SC-500 CHERRY Spiral Walking Cane 36"
- D. SC-500 WALNUT/MAPLE Spiral Walking Cane 36"
- E. SC-500 CEDAR Spiral Walking Cane 36"
- F. SC-500 OAK Spiral Walking Cane 36"
- G. HC-600 Buckeye Walking Cane 36"

THE NATURE OF WOOD AND ITS ENVIRONMENT

All hardwood contains variation in its color and grain. In manufacturing and finishing its chairs, Buckeye Rockers strives to bring out the natural beauty and character of each slab of wood. These wood characteristics give each piece of solid wood furniture its own unique charm. Although the finishing processes are identical, no two items will be exactly the same.

Because most hardwoods are open grained, solid wood furniture will expand and contract with changes in humidity and temperature, even after protective finishes have been applied. Care in controlling the furniture's environment will help minimize the minor cracking and warping that is a natural part of the wood's character. Indoor humidity should be kept in the 35 to 40 percent range to minimize these effects. If the humidity moves out of the ideal range, solid wood chairs can expand and contract causing a gap in the joints. This is perfectly normal as moisture is absorbed through end grains of wood thus causing more movement at the joints than in the center. With the seasons, these changes will occur according to humidity levels. Additionally, direct sunlight and fluorescent lighting that contain ultraviolet rays can cause chemical changes in the wood and finish and should be avoided. Furniture should also be kept away from direct sources of heating and cooling and out of attic or basement storage environments.

With proper care, solid wood furniture will provide a lifetime of enjoyment and can be passed on to future generations.

HARDWOODS

Mature hardwoods supply the nation, and much of the world, with timber used for everything from railroad ties to quality furnishings. U.S. Hardwoods are coveted the world over for their warmth and lasting beauty in furniture, cabinetry, millwork and flooring. In finished products, hardwoods are the purest expression of nature. They are not synthetic nor are they engineered. Their beauty is not just skin deep. And thanks to responsible stewardship of America's hardwood forestland, their supply is abundant and perpetually renewing.

Hardwoods are broad-leafed trees such as oak and walnut, cherry and maple, hickory and poplar and dozens of other species. Each autumn their green leaves burst into brilliant symphonies of amber, orange, magenta and thousands of hues in between. Hardwoods grow prolifically, reaching maturity at about 80 years of age. When harvested, they often begin a second life as home furnishings that we can cherish for generations. Just as each tree is different from the next, so too, are hardwood products individually unique.

Hardwoods are characterized by an infinite variety of grains and distinctive textures. Trees grow limbs that fall off as the tree matures; what remains, is a knot on the hardwood surface. These natural markings add character to the wood's appearance and have absolutely no effect on the wood's durability and stability.

POLICIES & INFORMATION

INTERNET POLICY

Dear Valued Customer,

Buckeye Rockers considers each of you as valued business partners. Every partner has his own niche on how to promote, advertise and sell our high-end products. Business strategies change over time and we encourage all of our customers to follow what works best for them to get more business. Occasionally there is some dissatisfaction from customers that have store fronts versus customers that sell product on the internet for prices that we consider too low.

A key component for the success of Buckeye Rockers has been a good presentation of our products and a corresponding sales approach that provides the customer with all of the information necessary to make a truly informed purchase decision. We have always believed that an essential ingredient of our success is the personal interaction between well-trained sales personnel and the retail consumer.

An integral part of ensuring consumer satisfaction is prompt and responsible warranty service. If our products are sold through the internet to locations remote from that of the actual dealer, the quality of such follow-up service can be inadequate and our image with the consumer could be damaged. It is the dealer's responsibility to take care of such warranty issues.

In light of all the factors stated above, it is our preference that our product is sold in a retail store. However, because of having responsible dealers who will sell on the internet at fair prices, we feel we cannot ban internet sales.

Therefore, we will require our dealers who advertise our products on the internet to have no less than a 100% markup (example: \$500 x 100% markup = \$1,000) on their finished product cost. Thank you for accepting this responsibility and for joining our team.

Sincerely,

BuckeyeRockers

BUCKEYE ROCKERS GUARANTEE

We want you to be happy! You may return new, unused and resalable items within 30 days of delivery date for a money-back refund; customized items may not be returned. We will pay the return shipping costs if the return is a result of our error. Please contact us within 30 days of delivery if this is the case. We guarantee all of our products against workmanship defects or problems for one year. As you enjoy our products we will consider that using them will create normal wear rather than defects in workmanship.. After one year, we will repair your product at a very reasonable rate.

POLICIES & INFORMATION

COMPANY HISTORY AND ACKNOWLEDGMENTS

In 1994, founder Mose Hershberger started working for a local chair company to learn the trade of a woodworker craftsman. A year later, in 1995, Mose started his own woodworking shop making chair parts and canes for other woodshops.

The seeds of Buckeye Rocker began in 1997 when Mose bought a small local seating company that had six existing seating products. Thus the journey began with a vision to nourish, develop and grow this infant company.

Today, the company has seen 21 years of growth and has designed and developed more than 65 heirloom quality hardwood seating products that are available in this catalog.

In 2016, Mose retired leaving a legacy for the next generation. Second generation craftsman Dennis Hershberger and David Miller humbly accept the role of Co-Owners.

MEET THE PEOPLE AT BUCKEYE ROCKERS

When buying or shipping a chair or product, there is the standard communication between you, the customer, and the sales or accounting team.....but, there is more involved. There are many steps involved in building a chair or product. Buckeye Rockers considers each step important and wants you to meet the fine people that are in our company.

Dennis Hershberger	Co-Owner / Craftsman	23 Years
David Miller	Co-Owner / Sales	14 Years
Willis Hershberger	Accounting / Sales	21 Years
David Yoder	Craftsman	15 Years
Amos Yoder	Craftsman	13 Years
John Wengerd	Upholstery	6 Years
Albert Miller	Craftsman	5 Years
Marilyn Miller	Upholstery	4 Years
Wayne Miller	Upholstery	3 Years
Jacob Yoder	Craftsman / Maintenance	2 Years
Noah Hochstetler	Craftsman	2 Years
Marvin Yoder	Craftsman	New Employee

POLICIES & INFORMATION



POLICIES & INFORMATION

A close-up photograph of a wooden chair back. The chair features vertical wooden slats and a dark green leather seat with a decorative border of brass studs and a wavy pattern. A brass plaque is mounted on the wood.

Buckeye Rockers
Made in the U.S.A.

Buckeye Rockers

2714 TR 151

Millersburg, OH 44654

PH: 330-893-3929 FX: 330-893-7409